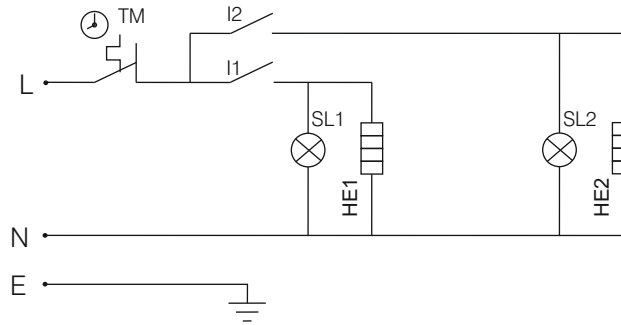

Mod: WR-TSE2-D

Production code: TKD1T-RB NV

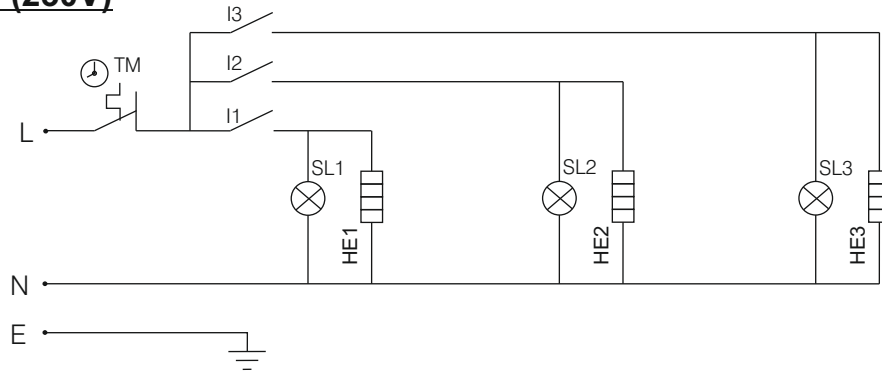


Electrical wiring diagram

WR-TSE1-S (230V)



WR-TSE2-D (230V)



TM - Timer

I/SL - Switches with light

HE - Heating Elements