

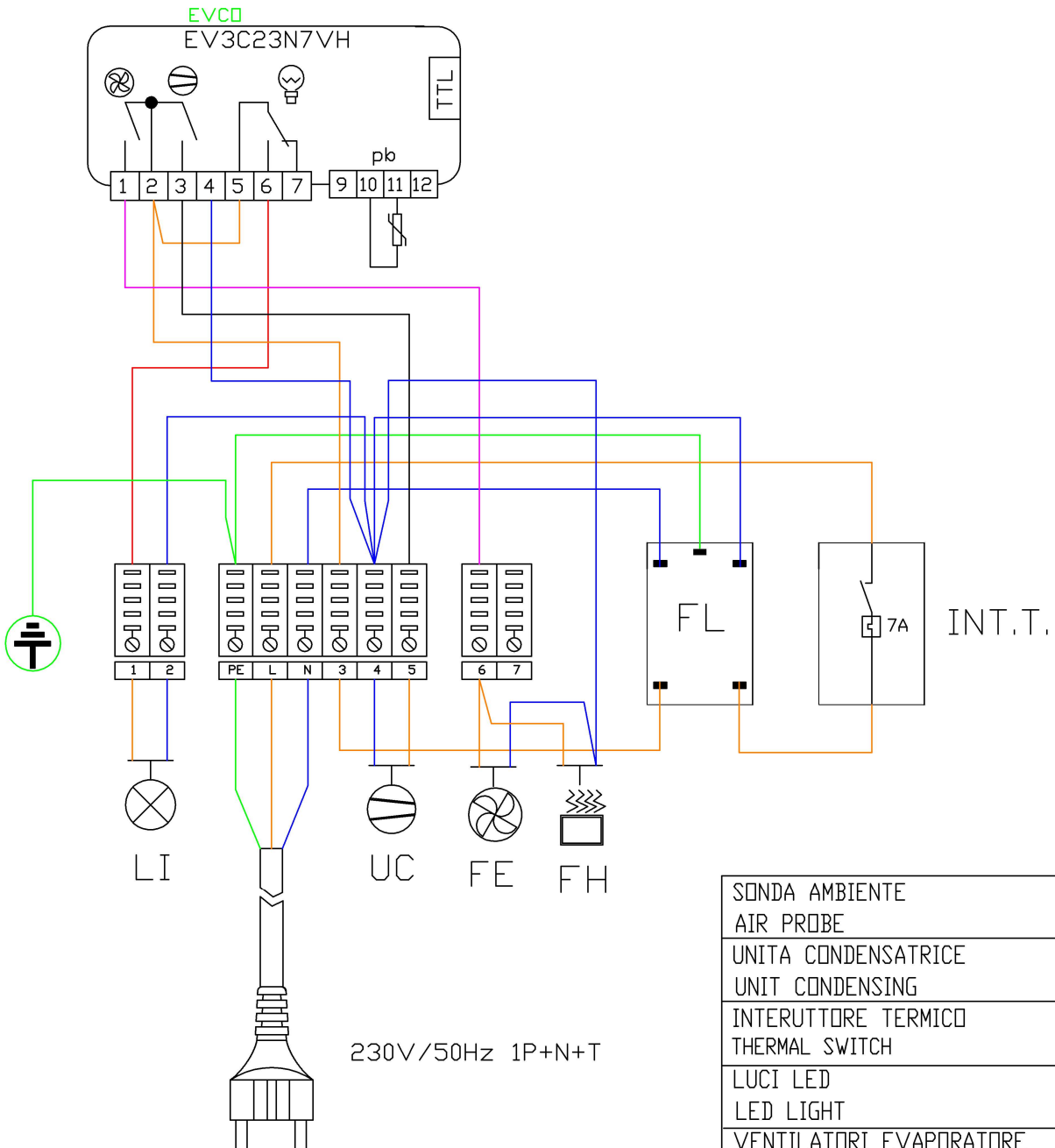


MOD : MD07/A7-R2P

Production code : OI070PSVGD116BH

04/2024

Rev.	Modification	Date
00	Prima Emissione	22/09/2022



SONDA AMBIENTE AIR PROBE	pb
UNITA CONDENSATRICE UNIT CONDENSING	UC
INTERUTTORE TERMICO THERMAL SWITCH	INT.T.
LUCI LED LED LIGHT	LI
VENTILATORI EVAPORATORE EVAPORATOR FAN	FE
RESISTENZA EVAP.ACQUA HEATER WATER	FH
FILTRO ANTIDISTURBO SUPPLY FILTER	FL

Approved By:	Elettrical Schematic		Date
	Model	MODENA LINE-PADOVA LINE	22/09/2022
	Details:	70-100-120-150	Drawing Nr.
	Dettagli:	STANDARD	220056