

07/2018

Mod: ICE70A-R2(42G)

Production code: CB640A/E HC



Diamond
catering equipment



CB 640

LIST OF THE EXPLODED VIEWS



SHELL ASSY

COOLING SYSTEM

HYDRAULIC CIRCUIT

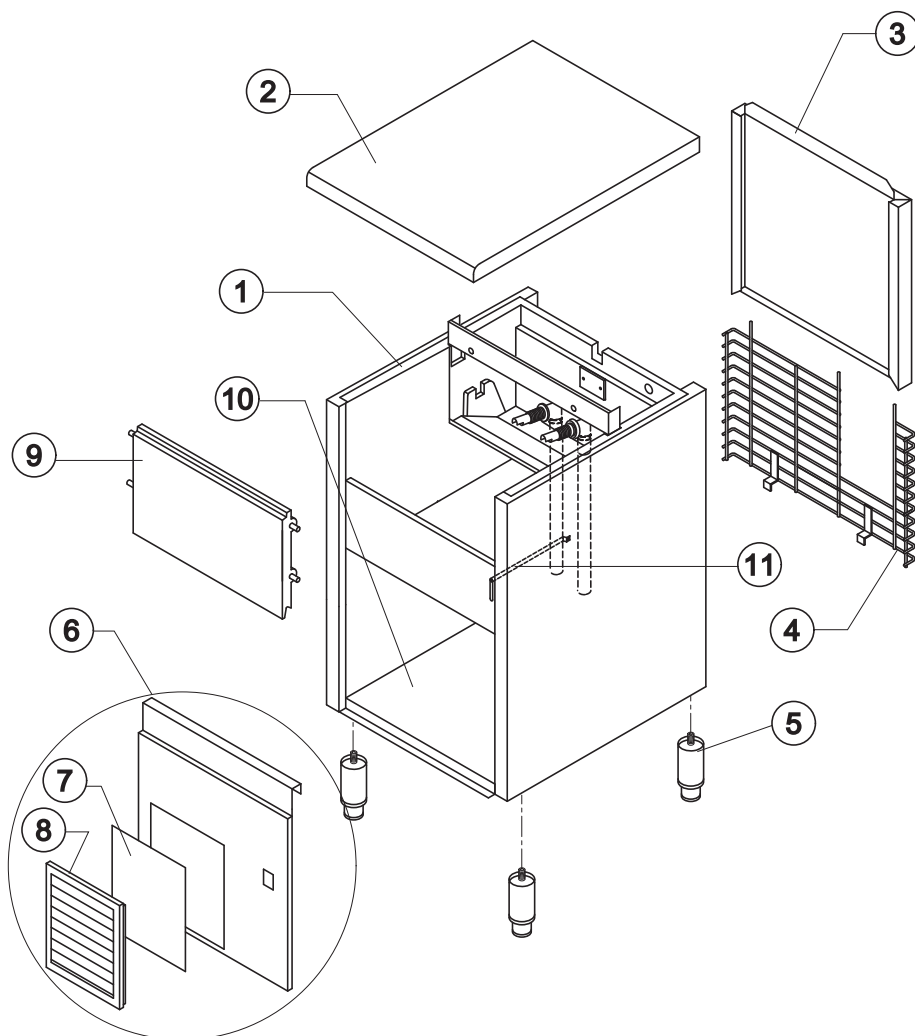
ELECTRIC PARTS

Rev. 12 - 16/01/2015



CB 640

SHELL ASSY



Ref.	Spare Description	Code	
1	Foamed Cabinet Assy	See Table	
2	Top Assembly	C22673	
3	Rear Panel Assembly	C21184	
4	Rear Grid	D12015	
5	Adjustable Stainless Steel Foot	20613	
6	Front Grid Panel	C22509	
7*	Filtering Panel	18106	
8	Frame + Grid & Filter	C10205	
9	Door Assy	C10275	
10	Base Plate	21280	
11	Bulb-holder Pipe	Current Version	20521
11	Bulb-holder Pipe	Till s/n. 258692	20520

Ref. 1 - Foamed Cabinet Assy

Condensation	Code
Air	C11009A
Water	C11009W

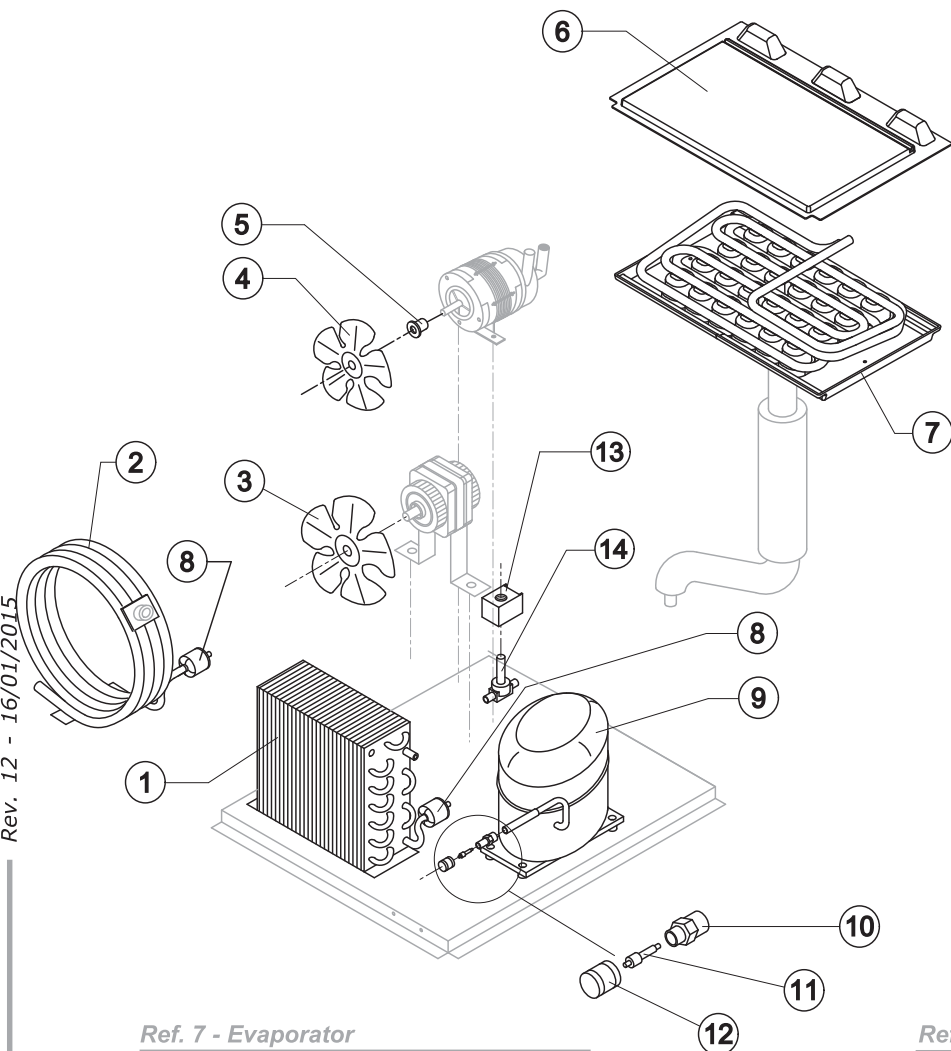
Rev. 12 - 16/01/2015



CB 640

COOLING SYSTEM

Rev. 12 - 16/01/2015



Ref. 7 - Evaporator

Kind of Cube	Code
18 g. (Standard)	D10047
33 g.	D10090
13 g.	D10418
42 g.	D10480

Ref. 9 - Compressor

Voltage	Code
T11	23505A
T12	23578A
T13	23679
T19	23679

Ref. 13* - Hot Gas Valve Coil

Voltage	Code
T11	23091
T12	23091
T13	23256
T19	23256

Common Parts

Ref.	Spare Description	Code
4	Sucking Fan	10213
5	Fan Fixing Hub	10014
6	Evaporator Cover Panel	from s/n. 224659 10448
7	Evaporator	See Table -
8*	Solid Core Drier	14089
9	Compressor	Vedi Tabella -
10	Vacuum-Charge Valve Body	14007
11*	Vacuum-Charge Valve Device	14005
12*	Vacuum-Charge Valve Plug	14006
13*	Hot Gas Valve Coil	See Table -
14*	Hot Gas Valve Body	20410

Parts for Air Cooled Version Only

Ref.	Spare Description	Code
1	Air Condenser	Current Version 20558
1	Air Condenser	Till s/n. 348341 20175
3	Sucking Fan	20031

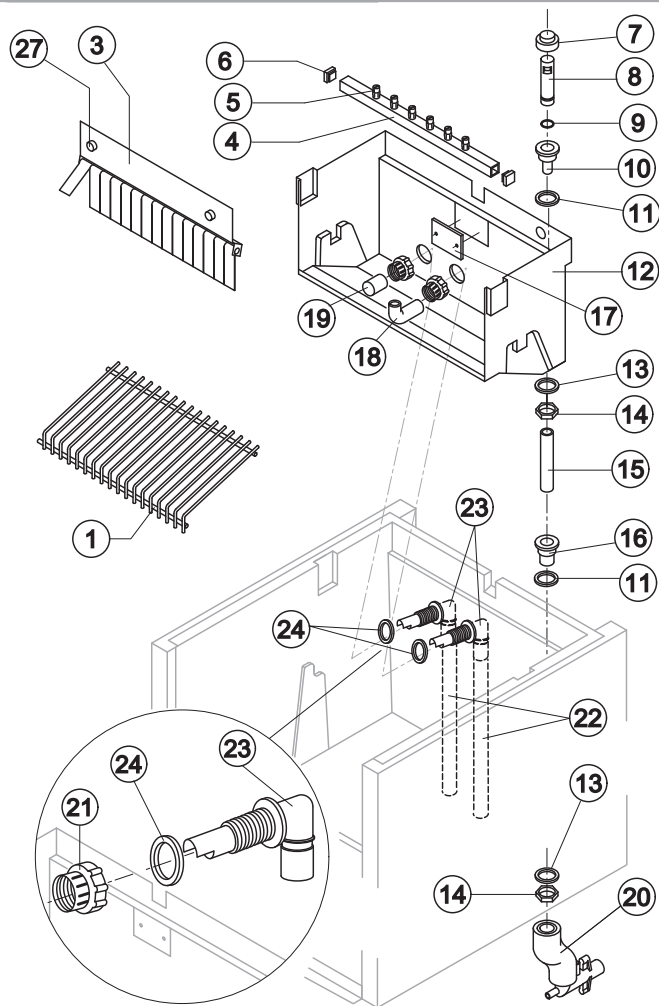
Parts for Water Cooled Version Only

Ref.	Spare Description	Code
2	Water Condenser	14374
3	Sucking Fan	Till s/n. 219620 10213



CB 640

HYDRAULIC CIRCUIT



Ref. 1 - Ice Cube Slide

Kind of Cube	Code
18 g. (Standard)	D12017
33 g.	D12031
13 g.	D12039
42 g.	D12071

Ref. 4* - Sprayers Bar Ass.

Kind of Cube	Code
18 g. (Standard)	C20058
33 g.	C20156
13 g.	C20190
42 g.	C20802

Common Parts

Ref.	Spare Description	Code
1	Ice Cubes Slide	See Table
3	Flags Support Assy	C22059
4*	Sprayers Bar Assembly	See Table
5	Sprayer	D20002
6	Sprayers Bar Plug	10012
7*	Overflow Cap	10305
8*	Overflow Pipe	10133
9*	OR Gasket for Overflow Pipe	20233
10	Overflow Pipe Nipple	10471
11	Silicone Gasket	13006
12	Inner Basin	10034
13	Semirigid Polyethylene Gasket	13007
14	Bin Discharge Nut	10096
15*	Overflow Pipe	13109
16	Water Outlet Nipple	10472
17	Slide Keep Plate	Till s/n. 227891
18	Sprayers Feeding Pipe	13005
19*	Pump Suction Filter	20005
21	Fittings Locking Ring	10405
22	Pump Suction/Delivery Pipe	13140
23	Fitting of the Pump Suction/Delivery Pipes	10404
24	Gasket for Pump Suction/Delivery Pipes	13143
27	Fixing Screw	20009

Parts for Air Cooled Version Only

Ref.	Spare Description	Code
20	Discharges Manifold	C10006

Parts for Water Cooled Version Only

Ref.	Spare Description	Code
20	Discharges Manifold	C26452

Rev. 12 - 16/01/2015



CB 640

ELECTRIC PARTS

Common Parts

Ref.	Spare Description	Code
1*	Pump Assy	See Table -
2*	Fan Motor	See Table -
8*	Condenser Pressure Switch	See Table -
9*	Bin Thermostat	R23005
10*	Evaporator Thermostat	R23591
11*	Timer	See Table -
12*	Green Light Switch (On-Off)	23327

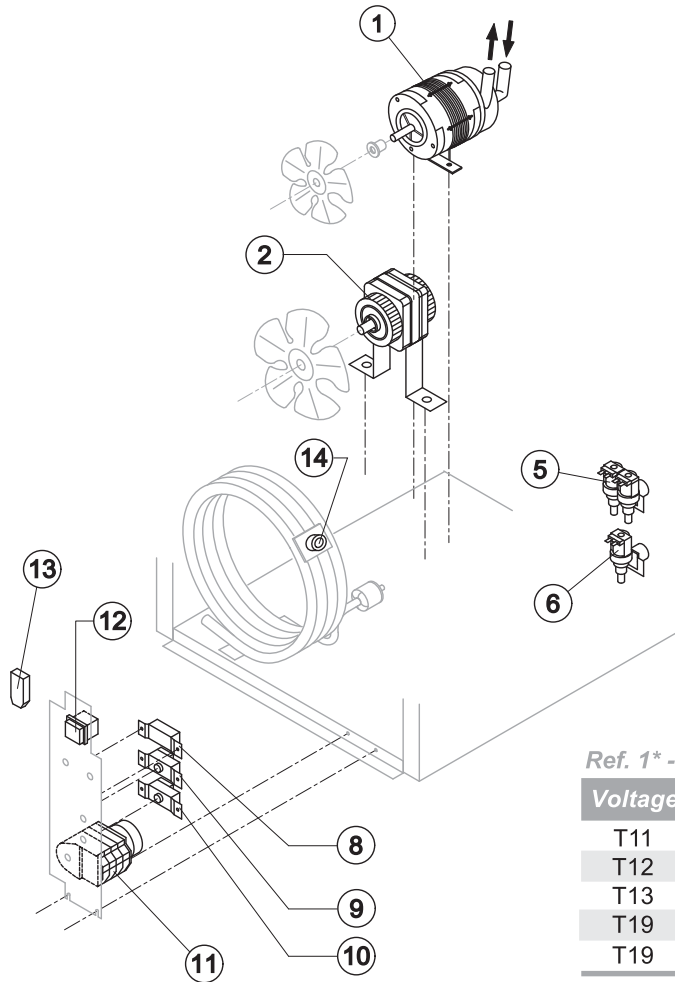
Parts for Air Cooled Version Only

Ref.	Spare Description	Code
6*	1 Way- Water Inlet Valve	See Table -
13	Anti Radio Interference Filter	Only T11 C23459

Parts for Water Cooled Version Only

Ref.	Spare Description	Code
5*	2 Ways- Water Inlet Valve	See Table -
13	Anti Radio Interference Filter	Only T11 C23457
14*	Safety Thermostat	C23114

Rev. 12 - 16/01/2015



Ref. 1* - Pump Assy

Voltage	Code	
T11	C23377	
T12	C23377	
T13	C23663	
T19	C231038	Current Version
T19	C23663	Till s/n. 605530

Ref. 2* - Fan motor

Tension	Air	Water Till s/n. 219620
T11	23067	23029
T12	23681	23029
T13	23621	23683
T19	23621	-

Ref. 8*-Cond. Pressure Switwh

Voltage	Code
T11	23175
T12	23175
T13	23175
T19	23680

Ref. 5* - 2 Ways- Water inlet

Voltage	Cube 18g/13g	Cube 33g	Cube 42g	
T11	23010	23010	23781	
T12	23010	23781	23781	
T13	23261	23758	23758	
T19	23261	23758	23758	Till s/n. 605530

Ref. 6* - 1 Way - Water Inlet

Voltage	Cube 18g/13g	Cube 33g	Cube 42g	
T11	23001	23001	23220	
T12	23001	23220	23220	
T13	23260	23281	23281	
T19	23410	TBD	TBD	Current Version
T19	23260	23281	23281	Till s/n. 605530

Ref. 11* - Timer

Voltage	18g Cube	33g Cube	13g Cube	42g Cube	
T11	23222	23248	23247	23780	
T12	231078	231080	231077	231080	
T13	23259	23786	23258	23786	
T19	23833	TBD	TBD	TBD	Current Version
T19	23259	23786	23258	23786	Till s/n. 605530